

# LED Driver Surge Protection PREMIUM

Surge Protection With Gas Discharge Tube Technology for Protection of LED Drivers and Controls



HIGHWAY & STREET LIGHTING | PARKING LOTS & PATHWAYS | BUS & TRAIN DEPOT LIGHTING  
DIGITAL SIGNS | PARKING GARAGES & TUNNELS

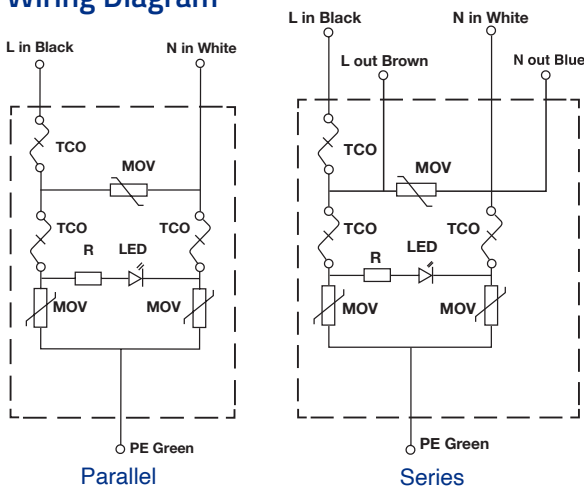
GDT / TMOV hybrid circuit eliminates leakage and follow on current extending the life of the surge protector.



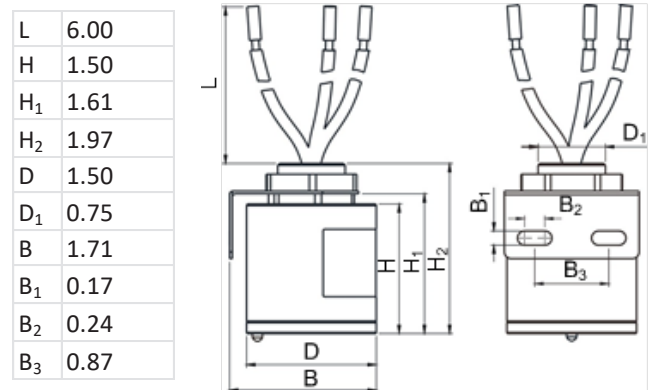
## Features

- Small Footprint, Nipple Mount Option
- Series or Parallel Connection
- L-N, L-G, N-G Protection
- Safety Thermal Fusing
- Diagnostic Light
- Mounting Bracket
- 10-Year Product Warranty
- Lifetime Warranty for GDT\* Models
- IP 66 Rated

## Wiring Diagram



## Dimensional Drawing (in)



Product Model	Operating Voltage	I <sub>n</sub>	I <sub>MAX</sub>	U <sub>oc</sub>	MCOV	Clamp Voltage	Thermal Fusing	3-Mode Protection	Gas Discharge Tube	Green Diagnostic Light	Mounting Bracket	Operating Temperature	Series or Parallel
AP10P277GH	120V-277V	10kA	25kA	20kV	320V	1300V	•	•	•	•	•	-40°C to +70°C	Parallel
AP10S277GH	120V-277V	10kA	25kA	20kV	320V	1300V	•	•	•	•	•	-40°C to +70°C	Series
AP10P277LH	120V-277V	10kA	25kA	20kV	320V	1150V	•	•	•	•	•	-40°C to +70°C	Parallel
AP10S277LH	120V-277V	10kA	25kA	20kV	320V	1150V	•	•	•	•	•	-40°C to +70°C	Series
AP10P480GH	480V	10kA	20kA	20kV	550V	1800V	•	•	•	•	•	-40°C to +70°C	Parallel
AP10S480GH	480V	10kA	20kA	20kV	550V	1800V	•	•	•	•	•	-40°C to +70°C	Series
AP10P480LH	480V	10kA	20kA	20kV	550V	1600V	•	•	•	•	•	-40°C to +70°C	Parallel
AP10S480LH	480V	10kA	20kA	20kV	550V	1600V	•	•	•	•	•	-40°C to +70°C	Series