

LED Driver Surge Protection BASIC

Surge Protection for Protection of LED Drivers and Controls



ABLE POWER PRODUCTS

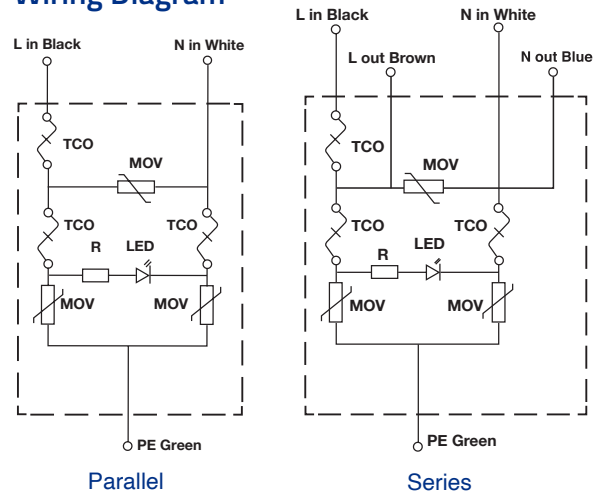
HIGHWAY & STREET LIGHTING | PARKING LOTS & PATHWAYS | BUS & TRAIN DEPOT LIGHTING
DIGITAL SIGNS | PARKING GARAGES & TUNNELS



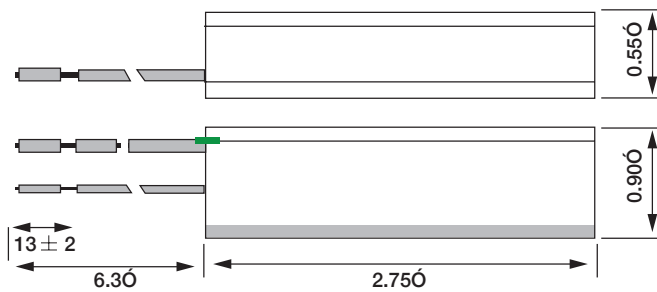
Features

- Small, Compact Footprint
- Series or Parallel Connection
- L-N, L-G, N-G Protection
- Safety Thermal Fusing
- 10-Year Product Warranty

Wiring Diagram



Dimensional Drawing (in)



Product Model	Operating Voltage	I_n	I_{MAX}	U_{oc}	MCOV	Clamp Voltage	Thermal Fusing	--Mode Protection	Operating Temperature	Series or Parallel
AP5P277	120V-277V	5kA	10kA	10kV	320V	1200V	•	•	-40°C to +70°C	Parallel
AP5S277	120V-277V	5kA	10kA	10kV	320V	1200V	•	•	-40°C to +70°C	Series
AP5P480	480V	5kA	10kA	10kV	550V	1500V	•	•	-40°C to +70°C	Parallel
AP5S480	480V	5kA	10kA	10kV	550V	1500V	•	•	-40°C to +70°C	Series