

# LED Driver Surge Protection BASIC

Surge Protection for Protection of LED Drivers and Controls



**ABLE POWER PRODUCTS**

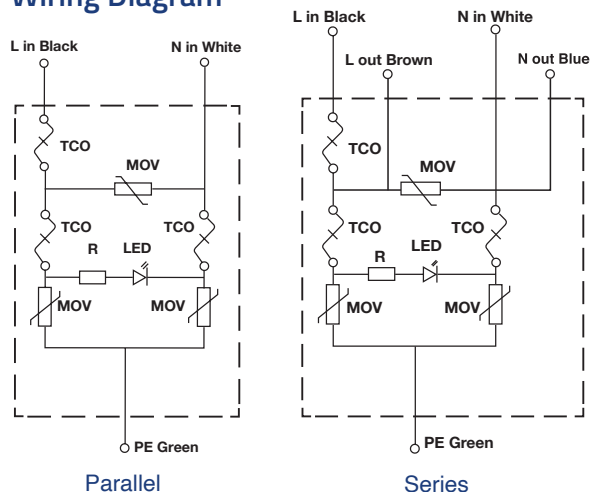
**HIGHWAY & STREET LIGHTING | PARKING LOTS & PATHWAYS | BUS & TRAIN DEPOT LIGHTING  
DIGITAL SIGNS | PARKING GARAGES & TUNNELS**



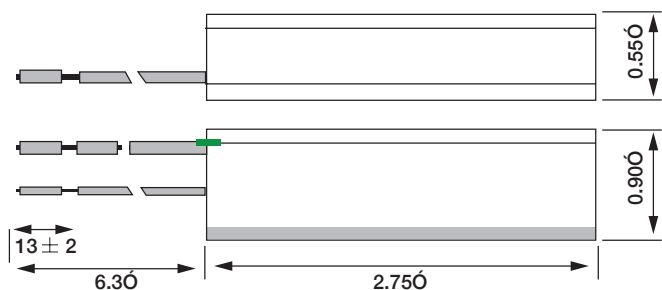
## Features

- Small, Compact Footprint
- Series or Parallel Connection
- L-N, L-G, N-G Protection
- Safety Thermal Fusing
- 10-Year Product Warranty

## Wiring Diagram



## Dimensional Drawing (in)



Product Model	Operating Voltage	$I_n$	$I_{MAX}$	$U_{oc}$	MCOV	Clamp Voltage	Thermal Fusing	+-Mode Protection	Operating Temperature	Series or Parallel
AP5P277	120V-277V	5kA	10kA	10kV	320V	1200V	•	•	-40°C to +70°C	Parallel
AP5S277	120V-277V	5kA	10kA	10kV	320V	1200V	•	•	-40°C to +70°C	Series
AP5P480	480V	5kA	10kA	10kV	550V	1500V	•	•	-40°C to +70°C	Parallel
AP5S480	480V	5kA	10kA	10kV	550V	1500V	•	•	-40°C to +70°C	Series