



LED Driver Surge Protection

10kV U_{oc} 5kA I_n 10kA I_{max}

SPB05K Hardwired Series



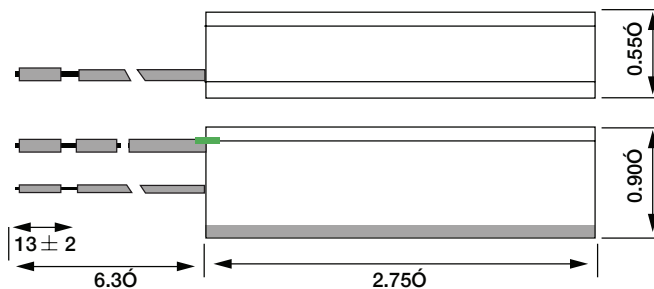
Applications

- Highway & Street lighting
- Parking Lots & Pathways
- Bus & Train Depot Lighting
- Digital Signs
- Parking Garages & Tunnels

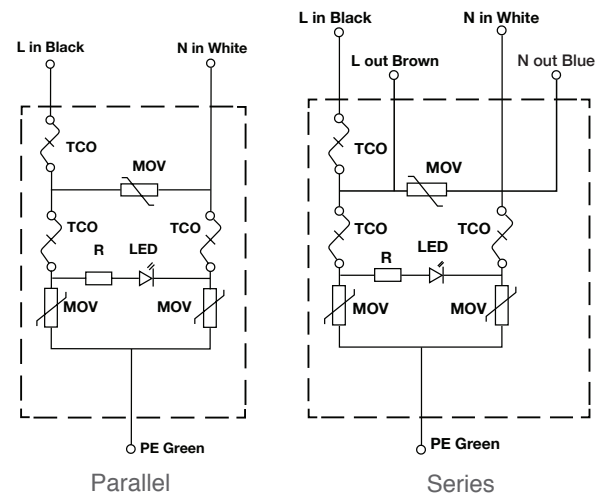
Features

- Small, compact footprint
- Series or Parallel connection
- L-N, L-G, N-G protection
- Safety thermal fusing
- 10-year product warranty

Dimensional Drawing



Wiring Diagram



| Product Model | Operating Voltage | I_n | I_{MAX} | U_{oc} | MCOV | Clamp Voltage | Thermal Fusing | 3-Mode Protection | Operating Temperature | Series or Parallel |
|---------------|-------------------|-------|-----------|----------|------|---------------|----------------|-------------------|-----------------------|--------------------|
| SPB05K277N | 120V-277V | 5kA | 10kA | 10kV | 320V | 1200V | 3 | 3 | -40°C to +70°C | Parallel |
| SPB05K277NT | 120V-277V | 5kA | 10kA | 10kV | 320V | 1200V | 3 | 3 | -40°C to +70°C | Series |
| SPB05K480N | 480V | 5kA | 10kA | 10kV | 550V | 1500V | 3 | 3 | -40°C to +70°C | Parallel |
| SPB05K480NT | 480V | 5kA | 10kA | 10kV | 550V | 1500V | 3 | 3 | -40°C to +70°C | Series |