



Photocontrol Surge Protector 20kV Vmax/Uoc 10kA In 25kA Imax



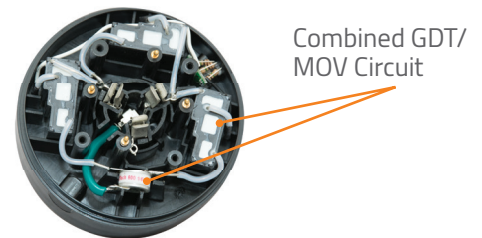
Surge Protection Features

- Series or Parallel connection
- L-N, L-G, N-G protection
- Safety thermal fusing
- Diagnostic light
- Exceeds ANSI C136.10 standard, comply with UL 773
- Load Rating: 1800 VA
- Joule Ratings: 1080
- Enclosure: UV Stabilized high-impact polypropylene dome
- Window: High-impact, UV Stabilized acrylic
- Base: High Impact ABS
- Gasket: Cross-linked polypropylene
- 10-year product warranty
- Lifetime warranty for GDT* model

Applications

- Highway & Street Lighting
- Parking Lots & Sidewalks
- Bus & Train Depot Lighting
- Paths & Walkways
- Parks & Stadiums

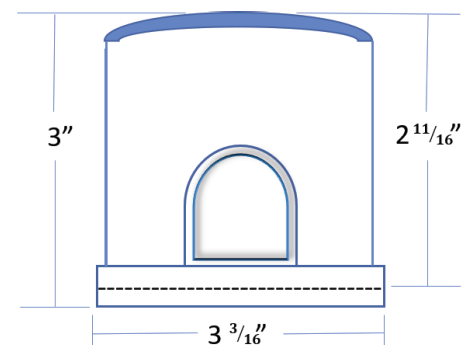
*GDT – optional gas discharge tube / MOV hybrid circuit to eliminate leakage and follow on current extending the life of the surge protector.

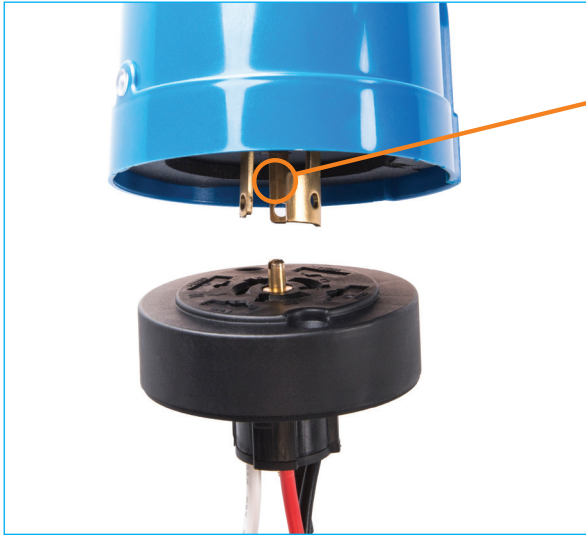


Photosensor Specifications

- Turn-on: 10 lux, or customized
- Turn-off: 15 lux, or customized
- Off/On ratio is 1.5:1 average
- Time Delay ON: 6-12 seconds, or customized
- Time Delay OFF: 6-18 seconds, or customized
- Fail On: For safety reasons
- Operating Temperature: -40° to + 70°C
- Power Consumption: 1.0 watt average @120V

Dimensional Drawing





Our patented 3-pin and 7-pin receptacles provide a unique grounding system for our Photocontrol Surge Protector that will remove electrical disturbances from the power system before they can cause downtime or damage to the driver or controls.*

*Retrofit ground wire version available with all of the same specifications.

Surge Protection Performance Characteristics

| Product Model | Operating Voltage | I _n | I _{MAX} | U _{oc} | MCOV | Clamp Voltage | Thermal Fusing | 3-Mode Protection | Gas Tube | Diagnostic Light | Operating Temperature | Product Warranty |
|-----------------|-------------------|----------------|------------------|-----------------|------|---------------|----------------|-------------------|----------|------------------|-----------------------|------------------|
| SPC277C1-W10SAC | 120V-277V | 10kA | 25kA | 20kV | 320V | 1300V | ✓ | ✓ | | ✓ | -40F ~ +185F | Lifetime |
| SPC277C1-W10SLC | 120V-277V | 10kA | 25kA | 20kV | 320V | 1150V | ✓ | ✓ | ✓ | ✓ | -40F ~ +185F | 10-years |
| SPC277C1-W05SAC | 120V-277V | 5kA | 10kA | 10kV | 320V | 1300V | ✓ | ✓ | | ✓ | -40F ~ +185F | Lifetime |
| SPC277C1-W05SLC | 120V-277V | 5kA | 10kA | 10kV | 320V | 1150V | ✓ | ✓ | ✓ | ✓ | -40F ~ +185F | 10-years |