

LED Driver Surge Protection Premium

20kV U_{oc} 10kA I_n 25kA I_{max}

SD10C Hardwired Series



Applications

- Highway & Street lighting
- Parking Lots & Pathways
- Bus & Train Depot Lighting
- Digital Signs
- Parking Garages & Tunnels

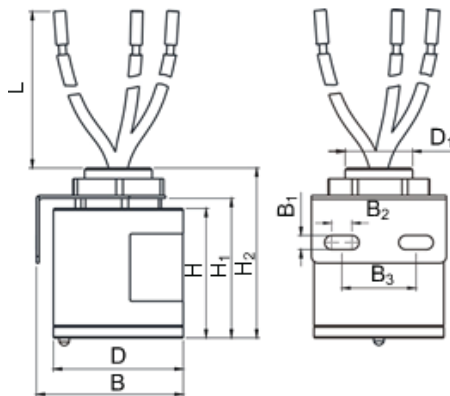
Features

- Small footprint, nipple mount option
- Series or Parallel connection
- L-N, L-G, N-G protection
- Safety thermal fusing
- Diagnostic light
- Mounting bracket
- 10-year product warranty
- Lifetime warranty for GDT* models
- IP 66 rated

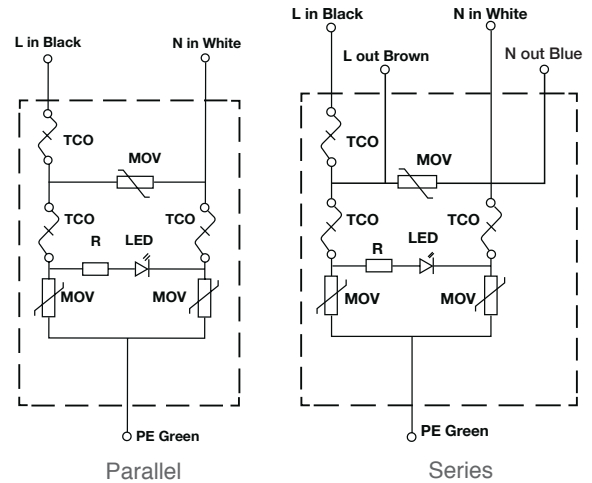
**GDT – optional gas discharge tube / MOV hybrid circuit to eliminate leakage and follow on current extending the life of the surge protector.*

Dimensional Drawing (in)

L	6.00
H	1.50
H ₁	1.61
H ₂	1.97
D	1.50
D ₁	1.10
B	1.71
B ₁	0.17
B ₂	0.24
B ₃	0.87



Wiring Diagram



Product Model	Operating Voltage	I_n	I_{MAX}	U_{oc}	MCOV	Clamp Voltage	Thermal Fusing	3-Mode Protection	Gas Discharge Tube	Green Diagnostic Light	Mounting Bracket	Operating Temperature	Series or Parallel
SD10C277AH	120V-277V	10kA	25kA	20kV	320V	1300V	✓	✓	✓	✓	✓	-40°C to +70°C	Parallel
SD10C277AHT	120V-277V	10kA	25kA	20kV	320V	1300V	✓	✓	✓	✓	✓	-40°C to +70°C	Series
SD10C277LH	120V-277V	10kA	25kA	20kV	320V	1150V	✓	✓		✓	✓	-40°C to +70°C	Parallel
SD10C277LHT	120V-277V	10kA	25kA	20kV	320V	1150V	✓	✓		✓	✓	-40°C to +70°C	Series
SD10C480AH	480V	10kA	25kA	20kV	550V	1800V	✓	✓	✓	✓	✓	-40°C to +70°C	Parallel
SD10C480AHT	480V	10kA	25kA	20kV	550V	1800V	✓	✓	✓	✓	✓	-40°C to +70°C	Series
SD10C480LH	480V	10kA	25kA	20kV	550V	1600V	✓	✓		✓	✓	-40°C to +70°C	Parallel
SD10C480LHT	480V	10kA	25kA	20kV	550V	1600V	✓	✓		✓	✓	-40°C to +70°C	Series