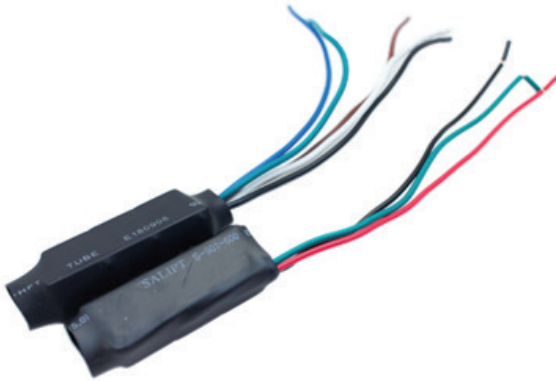




wLED Driver Surge Protection

10kV U_{oc} 5kA I_n 10kA I_{max}

SPB05K Hardwired Series



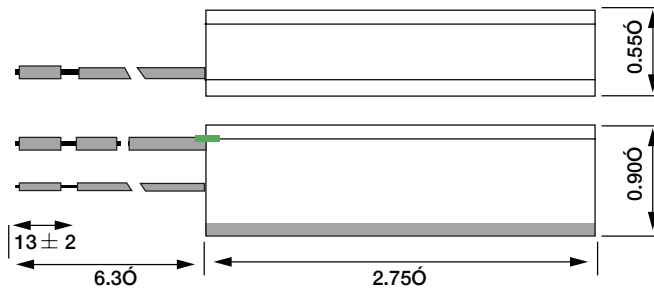
Applications

- Highway & Street lighting
- Parking Lots & Pathways
- Bus & Train Depot Lighting
- Digital Signs
- Parking Garages & Tunnels

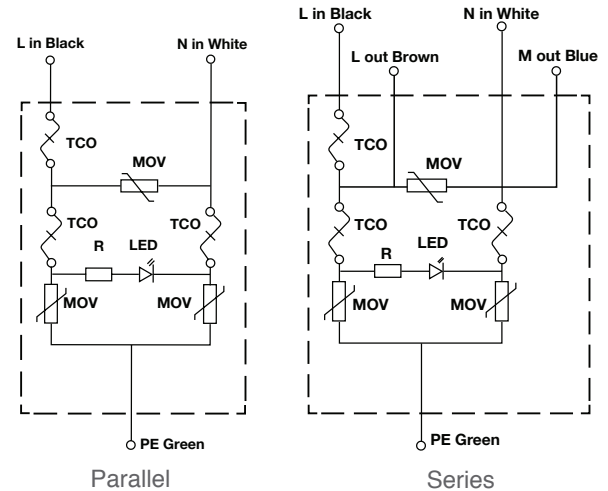
Features

- Small, compact footprint
- Series or Parallel connection
- L-N, L-G, N-G protection
- Safety thermal fusing
- 10-year product warranty

Dimensional Drawing



Wiring Diagram



Product Model	Operating Voltage	I_n	I_{MAX}	U_{oc}	MCOV	Clamp Voltage	Thermal Fusing	3-Mode Protection	Operating Temperature	Series or Parallel
SPB05K1P277N	120V-277V	5kA	10kA	10kV	320V	1200V	3	3	-40°C to +70°C	Parallel
SPB05K1P277NT	120V-277V	5kA	10kA	10kV	320V	1200V	3	3	-40°C to +70°C	Series
SPB05K1P480N	480V	5kA	10kA	10kV	550V	1500V	3	3	-40°C to +70°C	Parallel
SPB05K1P480NT	480V	5kA	10kA	10kV	550V	1500V	3	3	-40°C to +70°C	Series