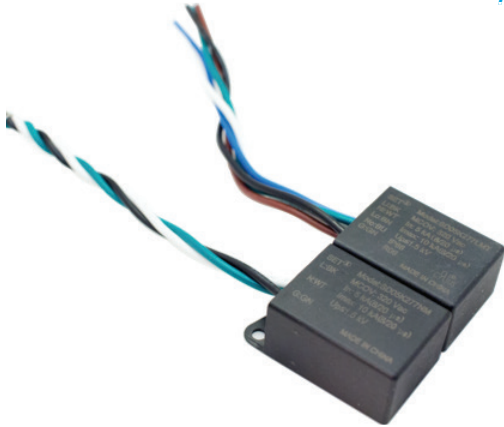


LED Driver Surge Protection PLUS

10kV U_{oc} 5kA I_n 10kA I_{max}

SD05K Hardwired Series



Applications

- Highway & Street lighting
- Parking Lots & Pathways
- Bus & Train Depot Lighting
- Digital Signs
- Parking Garages & Tunnels

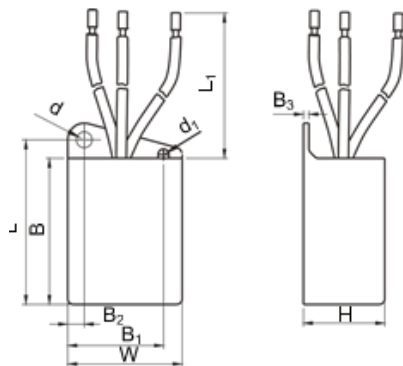
**GDT – optional gas discharge tube / MOV hybrid circuit to eliminate leakage and follow on current extending the life of the surge protector.*

Features

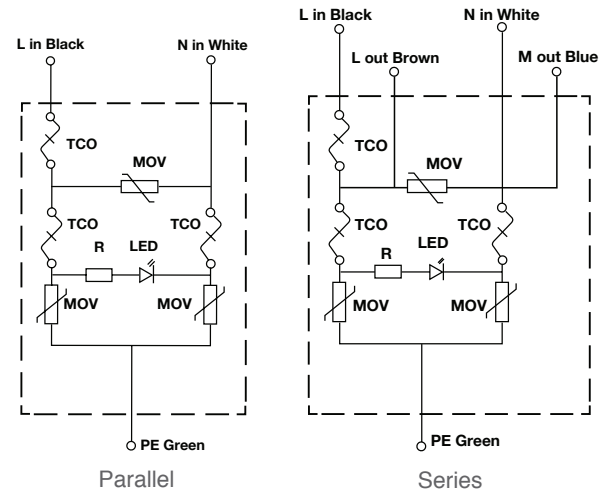
- Small, compact footprint
- Series or Parallel connection
- L-N, L-G, N-G protection
- Safety thermal fusing
- Diagnostic light
- Mounting tab
- 10-year product warranty
- Lifetime warranty for GDT* models
- IP 66 rated

Dimensional Drawing (in)

L	1.75
L ₁	6.00
W	1.22
H	0.87
d	0.17
d ₁	0.12
B	1.56
B ₁	1.02
B ₂	0.18
B ₃	0.06



Wiring Diagram



Product Model	Operating Voltage	I_n	I_{MAX}	U_{oc}	MCOV	Clamp Voltage	Thermal Fusing	3-Mode Protection	Gas Discharge Tube	Green Diagnostic Light	Mounting Tab	Operating Temperature	Wiring Configuration
SD05K277AM	120V-277V	5kA	10kA	10kV	320V	1300V	✓	✓	✓	✓	✓	-40°C to +70°C	Parallel
SD05K277AMT	120V-277V	5kA	10kA	10kV	320V	1300V	✓	✓	✓	✓	✓	-40°C to +70°C	Series
SD05K277LM	120V-277V	5kA	10kA	10kV	320V	1200V	✓	✓		✓	✓	-40°C to +70°C	Parallel
SD05K277LMT	120V-277V	5kA	10kA	10kV	320V	1200V	✓	✓		✓	✓	-40°C to +70°C	Series
SD05C480AM	480V	5kA	10kA	10kV	550V	1800V	✓	✓	✓	✓	✓	-40°C to +70°C	Parallel
SD05C480AMT	480V	5kA	10kA	10kV	550V	1800V	✓	✓	✓	✓	✓	-40°C to +70°C	Series
SD05C480LM	480V	5kA	10kA	10kV	550V	1600V	✓	✓		✓	✓	-40°C to +70°C	Parallel
SD05C480LMT	480V	5kA	10kA	10kV	550V	1600V	✓	✓		✓	✓	-40°C to +70°C	Series