



# wLED Driver Surge Protection

10kV  $U_{oc}$  5kA  $I_n$  10kA  $I_{max}$

## SPB05K Hardwired Series



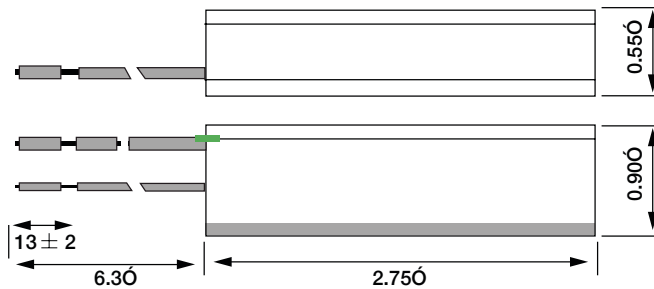
### Applications

- Highway & Street lighting
- Parking Lots & Pathways
- Bus & Train Depot Lighting
- Digital Signs
- Parking Garages & Tunnels

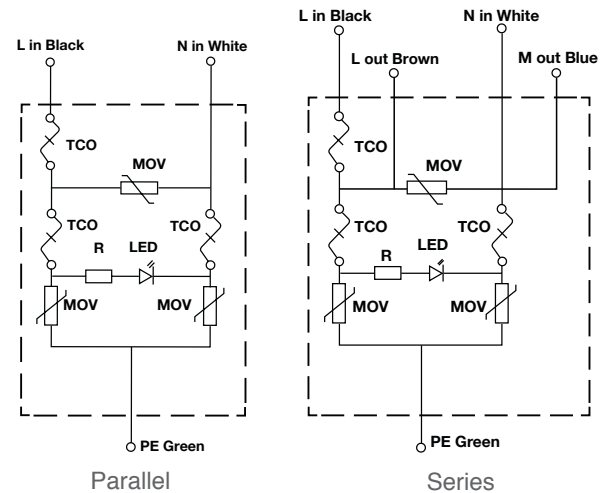
### Features

- Small, compact footprint
- Series or Parallel connection
- L-N, L-G, N-G protection
- Safety thermal fusing
- 10-year product warranty

### Dimensional Drawing



### Wiring Diagram



Product Model	Operating Voltage	$I_n$	$I_{MAX}$	$U_{oc}$	MCOV	Clamp Voltage	Thermal Fusing	3-Mode Protection	Operating Temperature	Series or Parallel
SPB05K1P277N	120V-277V	5kA	10kA	10kV	320V	1200V	3	3	-40°C to +70°C	Parallel
SPB05K1P277NT	120V-277V	5kA	10kA	10kV	320V	1200V	3	3	-40°C to +70°C	Series
SPB05K1P480N	480V	5kA	10kA	10kV	550V	1500V	3	3	-40°C to +70°C	Parallel
SPB05K1P480NT	480V	5kA	10kA	10kV	550V	1500V	3	3	-40°C to +70°C	Series