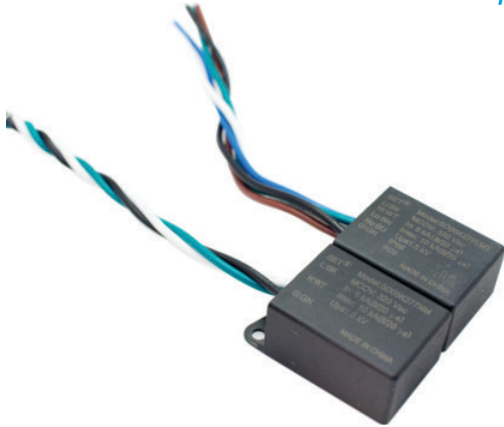


# LED Driver Surge Protection PLUS

10kV  $U_{oc}$  5kA  $I_n$  10kA  $I_{max}$

## SD05K Hardwired Series



### Applications

- Highway & Street lighting
- Parking Lots & Pathways
- Bus & Train Depot Lighting
- Digital Signs
- Parking Garages & Tunnels

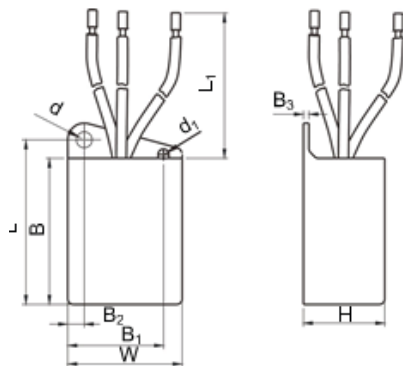
*\*GDT – optional gas discharge tube / MOV hybrid circuit to eliminate leakage and follow on current extending the life of the surge protector.*

### Features

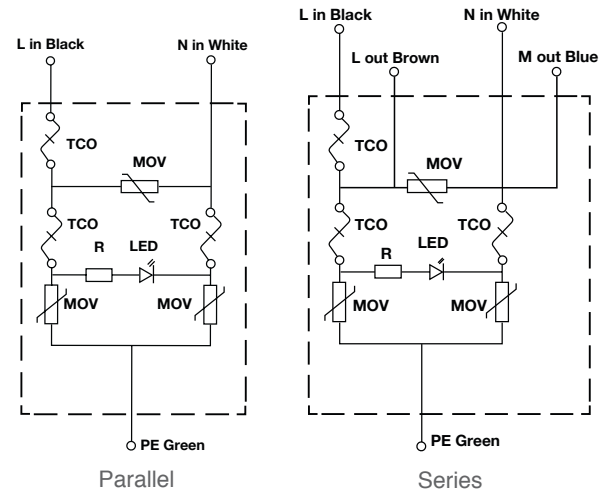
- Small, compact footprint
- Series or Parallel connection
- L-N, L-G, N-G protection
- Safety thermal fusing
- Diagnostic light
- Mounting tab
- 10-year product warranty
- Lifetime warranty for GDT\* models
- IP 66 rated

### Dimensional Drawing (in)

L	1.75
L <sub>1</sub>	6.00
W	1.22
H	0.87
d	0.17
d <sub>1</sub>	0.12
B	1.56
B <sub>1</sub>	1.02
B <sub>2</sub>	0.18
B <sub>3</sub>	0.06



### Wiring Diagram



Product Model	Operating Voltage	$I_n$	$I_{MAX}$	$U_{oc}$	MCOV	Clamp Voltage	Thermal Fusing	3-Mode Protection	Gas Discharge Tube	Green Diagnostic Light	Mounting Tab	Operating Temperature	Wiring Configuration
SD05K277AM	120V-277V	5kA	10kA	10kV	320V	1300V	✓	✓	✓	✓	✓	-40°C to +70°C	Parallel
SD05K277AMT	120V-277V	5kA	10kA	10kV	320V	1300V	✓	✓	✓	✓	✓	-40°C to +70°C	Series
SD05K277LM	120V-277V	5kA	10kA	10kV	320V	1200V	✓	✓		✓	✓	-40°C to +70°C	Parallel
SD05K277LMT	120V-277V	5kA	10kA	10kV	320V	1200V	✓	✓		✓	✓	-40°C to +70°C	Series
SD05C480AM	480V	5kA	10kA	10kV	550V	1800V	✓	✓	✓	✓	✓	-40°C to +70°C	Parallel
SD05C480AMT	480V	5kA	10kA	10kV	550V	1800V	✓	✓	✓	✓	✓	-40°C to +70°C	Series
SD05C480LM	480V	5kA	10kA	10kV	550V	1600V	✓	✓		✓	✓	-40°C to +70°C	Parallel
SD05C480LMT	480V	5kA	10kA	10kV	550V	1600V	✓	✓		✓	✓	-40°C to +70°C	Series