



## Photocontrol Surge Protector 20kV Vmax/Uoc 10kA In 25kA Imax



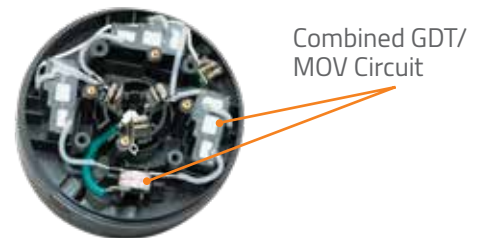
### Surge Protection Features

- Series or Parallel connection
- L-N, L-G, N-G protection
- Safety thermal fusing
- Diagnostic light
- Exceeds ANSI C136.10 standard, comply with UL 773
- Load Rating: 1800 VA
- Joule Ratings: 1080
- Enclosure: UV Stabilized high-impact polypropylene dome
- Window: High-impact, UV Stabilized acrylic
- Base: High Impact ABS
- Gasket: Cross-linked polypropylene
- 10-year product warranty
- Lifetime warranty for GDT\* model

### Applications

- Highway & Street Lighting
- Parking Lots & Sidewalks
- Bus & Train Depot Lighting
- Paths & Walkways
- Parks & Stadiums

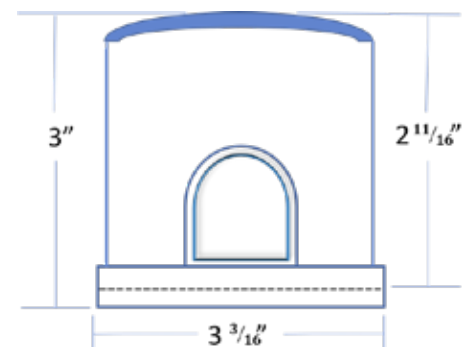
\*GDT – optional gas discharge tube / MOV hybrid circuit to eliminate leakage and follow on current extending the life of the surge protector.

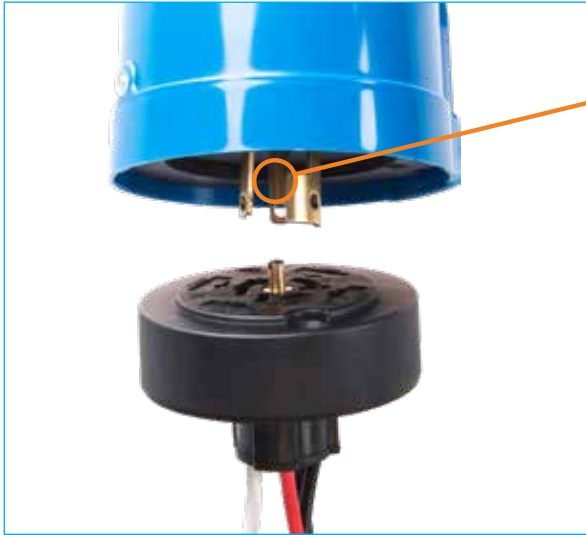


### Photosensor Specifications

- Turn-on: 10 lux, or customized
- Turn-off: 15 lux, or customized
- Off/On ratio is 1.5:1 average
- Time Delay ON: 6-12 seconds, or customized
- Time Delay OFF: 6-18 seconds, or customized
- Fail On: For safety reasons
- Operating Temperature: -40° to + 70°C
- Power Consumption: 1.0 watt average @120V

### Dimensional Drawing





Our patented 3-pin and 7-pin receptacles provide a unique grounding system for our Photocontrol Surge Protector that will remove electrical disturbances from the power system before they can cause downtime or damage to the driver or controls.\*

\*Retrofit ground wire version available with all of the same specifications.

## Surge Protection Performance Characteristics

Product Model	Operating Voltage	I <sub>n</sub>	I <sub>MAX</sub>	U <sub>oc</sub>	MCOV	Clamp Voltage	Thermal Fusing	3-Mode Protection	Gas Tube	Diagnostic Light	Operating Temperature	Product Warranty
SPC277C1-W10SAC	120V-277V	10kA	25kA	20kV	320V	1300V	✓	✓		✓	-40F ~ +185F	Lifetime
SPC277C1-W10SLC	120V-277V	10kA	25kA	20kV	320V	1150V	✓	✓	✓	✓	-40F ~ +185F	10-years
SPC277C1-W05SAC	120V-277V	5kA	10kA	10kV	320V	1300V	✓	✓		✓	-40F ~ +185F	Lifetime
SPC277C1-W05SLC	120V-277V	5kA	10kA	10kV	320V	1150V	✓	✓	✓	✓	-40F ~ +185F	10-years